

FINAL DRAFT INTERNATIONAL STANDARD

PROJET FINAL DE NORME INTERNATIONALE

AMENDMENT 1 AMENDEMENT 1

**Low-voltage electrical installations –
Part 5-55: Selection and erection of electrical equipment – Other equipment –
Clause 557: Auxiliary circuits**

**Installations électriques à basse tension –
Partie 5-55: Choix et mise en œuvre des matériels électriques – Autres matériels –
Article 557: Circuits auxiliaires**



THIS PUBLICATION IS COPYRIGHT PROTECTED

Copyright © 2012 IEC, Geneva, Switzerland

All rights reserved. Unless otherwise specified, no part of this publication may be reproduced or utilized in any form or by any means, electronic or mechanical, including photocopying and microfilm, without permission in writing from either IEC or IEC's member National Committee in the country of the requester.

If you have any questions about IEC copyright or have an enquiry about obtaining additional rights to this publication, please contact the address below or your local IEC member National Committee for further information.

Droits de reproduction réservés. Sauf indication contraire, aucune partie de cette publication ne peut être reproduite ni utilisée sous quelque forme que ce soit et par aucun procédé, électronique ou mécanique, y compris la photocopie et les microfilms, sans l'accord écrit de la CEI ou du Comité national de la CEI du pays du demandeur.

Si vous avez des questions sur le copyright de la CEI ou si vous désirez obtenir des droits supplémentaires sur cette publication, utilisez les coordonnées ci-après ou contactez le Comité national de la CEI de votre pays de résidence.

IEC Central Office
3, rue de Varembe
CH-1211 Geneva 20
Switzerland

Tel.: +41 22 919 02 11
Fax: +41 22 919 03 00
info@iec.ch
www.iec.ch

About the IEC

The International Electrotechnical Commission (IEC) is the leading global organization that prepares and publishes International Standards for all electrical, electronic and related technologies.

About IEC publications

The technical content of IEC publications is kept under constant review by the IEC. Please make sure that you have the latest edition, a corrigenda or an amendment might have been published.

Useful links:

IEC publications search - www.iec.ch/searchpub

The advanced search enables you to find IEC publications by a variety of criteria (reference number, text, technical committee,...).

It also gives information on projects, replaced and withdrawn publications.

IEC Just Published - webstore.iec.ch/justpublished

Stay up to date on all new IEC publications. Just Published details all new publications released. Available on-line and also once a month by email.

Electropedia - www.electropedia.org

The world's leading online dictionary of electronic and electrical terms containing more than 30 000 terms and definitions in English and French, with equivalent terms in additional languages. Also known as the International Electrotechnical Vocabulary (IEV) on-line.

Customer Service Centre - webstore.iec.ch/csc

If you wish to give us your feedback on this publication or need further assistance, please contact the Customer Service Centre: csc@iec.ch.

A propos de la CEI

La Commission Electrotechnique Internationale (CEI) est la première organisation mondiale qui élabore et publie des Normes internationales pour tout ce qui a trait à l'électricité, à l'électronique et aux technologies apparentées.

A propos des publications CEI

Le contenu technique des publications de la CEI est constamment revu. Veuillez vous assurer que vous possédez l'édition la plus récente, un corrigendum ou amendement peut avoir été publié.

Liens utiles:

Recherche de publications CEI - www.iec.ch/searchpub

La recherche avancée vous permet de trouver des publications CEI en utilisant différents critères (numéro de référence, texte, comité d'études,...).

Elle donne aussi des informations sur les projets et les publications remplacées ou retirées.

Just Published CEI - webstore.iec.ch/justpublished

Restez informé sur les nouvelles publications de la CEI. Just Published détaille les nouvelles publications parues. Disponible en ligne et aussi une fois par mois par email.

Electropedia - www.electropedia.org

Le premier dictionnaire en ligne au monde de termes électroniques et électriques. Il contient plus de 30 000 termes et définitions en anglais et en français, ainsi que les termes équivalents dans les langues additionnelles. Egalement appelé Vocabulaire Electrotechnique International (VEI) en ligne.

Service Clients - webstore.iec.ch/csc

Si vous désirez nous donner des commentaires sur cette publication ou si vous avez des questions contactez-nous: csc@iec.ch.



FINAL DRAFT INTERNATIONAL STANDARD

PROJET FINAL DE NORME INTERNATIONALE

AMENDMENT 1
AMENDEMENT 1

**Low-voltage electrical installations –
Part 5-55: Selection and erection of electrical equipment – Other equipment –
Clause 557: Auxiliary circuits**

**Installations électriques à basse tension –
Partie 5-55: Choix et mise en œuvre des matériels électriques – Autres matériels –
Article 557: Circuits auxiliaires**

INTERNATIONAL
ELECTROTECHNICAL
COMMISSION

COMMISSION
ELECTROTECHNIQUE
INTERNATIONALE

PRICE CODE
CODE PRIX



ICS 91.140

**Warning! Make sure that you obtained this publication from an authorized distributor.
Attention! Veuillez vous assurer que vous avez obtenu cette publication via un distributeur agréé.**



FINAL DRAFT INTERNATIONAL STANDARD
PROJET FINAL DE NORME INTERNATIONALE

Project number Numéro de projet		IEC 60364-5-55 Amd.1 Ed.2.0				
IEC/TC or SC 64		CEI/CE ou SC 64				
Secretariat / Secrétariat Germany		Secretariat / Secrétariat Germany				
<input checked="" type="checkbox"/> Submitted for parallel voting in CENELEC Soumis au vote parallèle au CENELEC	Distributed on / Diffusé le 2012-06-29	Voting terminates on / Vote clos le 2012-09-07				
Also of interest to the following committees Intéresse également les comités suivants		Supersedes document Remplace le document 64/1795/CDV				
Horizontal standard Norme horizontale <input type="checkbox"/> Other TC/SCs are requested to indicate their interest, if any, in this FDIS to the TC/SC secretary Les autres CE/SC sont requis d'indiquer leur intérêt, si nécessaire, dans ce FDIS à l'intention du secrétaire du CE/SC						
Functions concerned Fonctions concernées <input checked="" type="checkbox"/> Safety Sécurité				<input type="checkbox"/> EMC CEM	<input type="checkbox"/> Environment Environnement	<input type="checkbox"/> Quality assurance Assurance de la qualité

CE DOCUMENT EST UN PROJET DIFFUSÉ POUR APPROBATION. IL NE PEUT ÊTRE CITÉ COMME NORME INTERNATIONALE AVANT SA PUBLICATION EN TANT QUE TELLE.

OUTRE LE FAIT D'ÊTRE EXAMINÉS POUR ÉTABLIR S'ILS SONT ACCEPTABLES À DES FINS INDUSTRIELLES, TECHNOLOGIQUES ET COMMERCIALES, AINSI QUE DU POINT DE VUE DES UTILISATEURS, LES PROJETS FINAUX DE NORMES INTERNATIONALES DOIVENT PARFOIS ÊTRE EXAMINÉS EN VUE DE LEUR POSSIBILITÉ DE DEVENIR DES NORMES POUVANT SERVIR DE RÉFÉRENCE DANS LES RÉGLEMENTATIONS NATIONALES.

LES RÉCIPENDAIRES DU PRÉSENT DOCUMENT SONT INVITÉS À PRÉSENTER, AVEC LEURS OBSERVATIONS, LA NOTIFICATION DES DROITS DE PROPRIÉTÉ DONT ILS AURAIENT ÉVENTUELLEMENT CONNAISSANCE ET À FOURNIR UNE DOCUMENTATION EXPLICATIVE.

THIS DOCUMENT IS A DRAFT DISTRIBUTED FOR APPROVAL. IT MAY NOT BE REFERRED TO AS AN INTERNATIONAL STANDARD UNTIL PUBLISHED AS SUCH.

IN ADDITION TO THEIR EVALUATION AS BEING ACCEPTABLE FOR INDUSTRIAL, TECHNOLOGICAL, COMMERCIAL AND USER PURPOSES, FINAL DRAFT INTERNATIONAL STANDARDS MAY ON OCCASION HAVE TO BE CONSIDERED IN THE LIGHT OF THEIR POTENTIAL TO BECOME STANDARDS TO WHICH REFERENCE MAY BE MADE IN NATIONAL REGULATIONS.

RECIPIENTS OF THIS DOCUMENT ARE INVITED TO SUBMIT, WITH THEIR COMMENTS, NOTIFICATION OF ANY RELEVANT PATENT RIGHTS OF WHICH THEY ARE AWARE AND TO PROVIDE SUPPORTING DOCUMENTATION.

Titre
Amendement 1 à la CEI 60364-5-55:
Installations électriques à basse tension – Partie 5-55: Choix et mise en oeuvre des matériels électriques – Autres matériels; Article 557 : Circuits auxiliaires

Title
Amendment 1 to IEC 60364-5-55: Low-voltage electrical installations – Part 5-55: Selection and erection of electrical equipment – Other equipment; Clause 557: Auxiliary circuits

<p>ATTENTION VOTE PARALLÈLE CEI – CENELEC</p> <p>L'attention des Comités nationaux de la CEI, membres du CENELEC, est attirée sur le fait que ce projet finale de Norme internationale est soumis au vote parallèle. Les membres du CENELEC sont invités à voter via le système de vote en ligne du CENELEC.</p>	<p>ATTENTION IEC – CENELEC PARALLEL VOTING</p> <p>The attention of IEC National Committees, members of CENELEC, is drawn to the fact that this final draft International Standard (DIS) is submitted for parallel voting. The CENELEC members are invited to vote through the CENELEC online voting system.</p>
---	--

Copyright © 2012 International Electrotechnical Commission, IEC. All rights reserved. It is permitted to download this electronic file, to make a copy and to print out the content for the sole purpose of preparing National Committee positions. You may not copy or "mirror" the file or printed version of the document, or any part of it, for any other purpose without permission in writing from IEC.

FOREWORD

This amendment has been prepared by IEC technical committee 64: Electrical installations and protection against electric shock.

The text of this amendment is based on the following documents:

FDIS	Report on voting
64/XX/FDIS	64/XX/RVD

Full information on the voting for the approval of this amendment can be found in the report on voting indicated in the above table.

The committee has decided that the contents of this amendment and the base publication will remain unchanged until the stability date indicated on the IEC web site under "<http://webstore.iec.ch>" in the data related to the specific publication. At this date, the publication will be

- reconfirmed,
- withdrawn,
- replaced by a revised edition, or
- amended.

The National Committees are requested to note that for this publication the stability date is 2012.

THIS TEXT IS INCLUDED FOR THE INFORMATION OF THE NATIONAL COMMITTEES AND WILL BE DELETED AT THE PUBLICATION STAGE.

Insert the following new references into Clause 550.2, Normative references:

IEC 60038, *IEC standard voltages*

IEC 60364-4-44:2007, *Low-voltage electrical installations – Part 4-44: Protection for safety – Protection against voltage disturbances and electromagnetic disturbances*

IEC 60364-5-52:2009, *Low-voltage electrical installations – Part 5-52: Selection and erection of electrical equipment – Wiring systems*

IEC 61439-1:2011, *Low-voltage switchgear and controlgear assemblies – Part 1: General rules*

IEC 61508 (all parts), *Functional safety of electrical/electronic/programmable electronic safety-related systems*

IEC 61557-8, *Electrical safety in low voltage distribution systems up to 1 000 V a.c. and 1 500 V d.c. – Equipment for testing, measuring or monitoring of protective measures – Part 8: Insulation monitoring devices for IT systems*

IEC 61557-9, *Electrical safety in low voltage distribution systems up to 1 000 V a.c. and 1 500 V d.c. – Equipment for testing, measuring or monitoring of protective measures – Part 9: Equipment for insulation fault location in IT systems*

Replace "IEC 60364-4-43" by "IEC 60364-4-43:2008.

Insert the following new Clause 557 after Clause 551.8 and before Clause 559:

557 Auxiliary circuits

557.1 Scope

This clause applies to auxiliary circuits, except those covered by specific product or system standards.

557.2 Terms and definitions

For the purposes of this document, the following definitions apply.

NOTE For general definitions, see IEC 60050-826.

557.2.1

auxiliary circuit

circuit for transmission of signals intended for control, detection, supervision or measurement of the functional status of a main circuit

557.2.2

main circuit

circuit containing electrical equipment for generation, conversion, distribution or switching of electrical power or current-using equipment

557.2.3

current-limiting signal output

signal output provided by a device which serves to limit the current

557.2.4

inherently short-circuit and earth fault proof

state of an electric equipment or assembly protected against short-circuits and earth faults by suitable design and erection provisions

[SOURCE: IEC 60050-826:2004, definition 826-14-15]

557.2.5

safety integrity level

SIL

discrete level for specifying the safety integrity requirements of the safety functions to be allocated to the electrical/electronic/programmable electronic safety-related systems, where safety integrity level 4 has the highest level of safety integrity and safety integrity level 1 has the lowest

[SOURCE: IEC 61508-4:2010, 3.5.8, modified]

557.3 Requirements for auxiliary circuits

557.3.1 General

The power supply a.c. or d.c. for an auxiliary circuit may be either dependent or independent of the main circuit according to its required function. If the status of the main circuit has to be signalled, then the signalling circuit shall be able to operate independently of that main circuit.

NOTE In extensive installations the use of a d.c. auxiliary supply may be preferred.

557.3.2 Power supply for auxiliary circuits dependent on the main circuit

557.3.2.1 General

Auxiliary circuits with a power supply dependent on the main a.c. circuit shall be connected to the main circuit:

- directly (see Figure 557.1); or
- via a rectifier (see Figure 557.2); or
- via transformer (see Figure 557.3).

It is recommended that auxiliary circuits supplying primarily electronic equipment or systems should not be supplied directly but at least via simple separation from the main circuit.

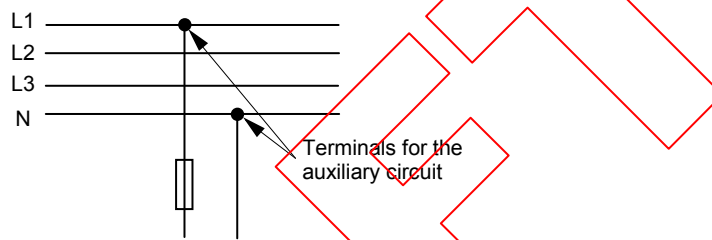


Figure 557.1 – Auxiliary circuit supplied directly from the main circuit

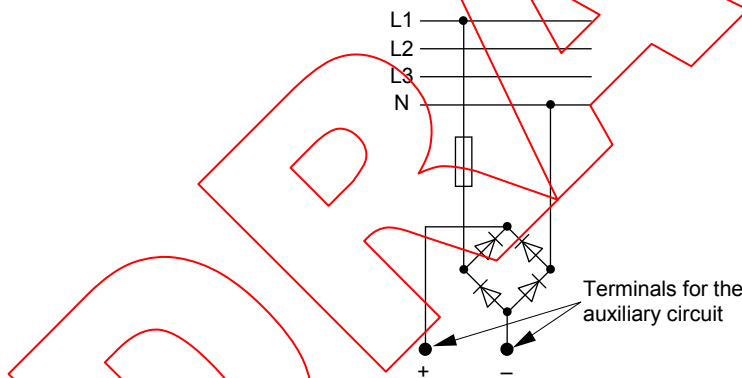


Figure 557.2 – Auxiliary circuit supplied via rectifier from the main circuit

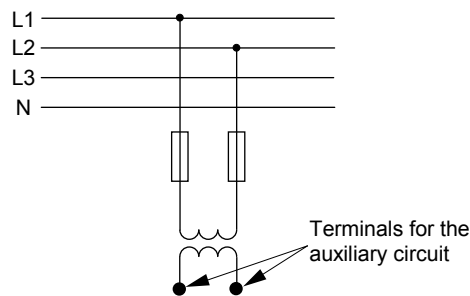


Figure 557.3 – Auxiliary circuit supplied from the main circuit via transformer

NOTE In the case of an auxiliary circuit supplied from the main circuit, directly or via the rectifier, the auxiliary circuit begins at the connection point to the main circuit, see Figure 557.1. When via the rectifier, see Figure 557.2, or by a transformer supply, see Figure 557.3, the auxiliary circuit begins on the d.c. side of the rectifier or on the secondary side of the transformer.

557.3.2.2 Auxiliary circuit supplied from the main circuit via transformer

Where an auxiliary circuit is supplied by more than one transformer, they shall be connected in parallel both on primary and secondary sides.

557.3.3 Auxiliary circuit supplied by an independent source

Where an independent source is used, a loss of supply or undervoltage of the main circuit source should be detected. An independent auxiliary circuit shall not create a hazardous situation.

NOTE Batteries and a power supply system independent of the mains are examples of independent sources.

557.3.4 Auxiliary circuits with or without connection to earth

557.3.4.1 General

An auxiliary circuit shall comply with the earthing requirements in IEC 60364, except as modified by 557.3.4.2 or 557.3.4.3.

NOTE It depends on the requirements for an auxiliary circuit as to whether it is operated earthed or unearthed. For example, in earthed auxiliary circuits an earth fault in a non-earthed conductor leads to a switching off of the power supply of the auxiliary circuit. In unearthed auxiliary circuits, an earth fault in a conductor leads only to a signal from the IMD (see 557.3.4.3).

The use of unearthed auxiliary circuits should be considered, where high reliability is required.

557.3.4.2 Earthed auxiliary circuit

Earthed auxiliary circuits supplied via a transformer shall be connected to earth only at one point on the secondary side of the transformer. The connection to earth shall be situated close to the transformer. The connection shall be easily accessible and capable of being isolated for insulation measurement.

557.3.4.3 Unearthed auxiliary circuit

If an auxiliary circuit is operated unearthed via a transformer, an insulation monitoring device (IMD) according to IEC 61557-8 shall be installed on the secondary side.

NOTE Depending on a risk assessment it should be determined if the signal of the IMD is to initiate an acoustic and/or flash alarm or transmit it to a monitoring system.

557.3.5 Power supplies for auxiliary circuits

557.3.5.1 General

The rated voltage of the auxiliary circuit and the components used in the circuit shall be compatible with the supply to that circuit.

NOTE If the supply voltage is too low for the design of the circuit, then the operation will not be reliable, e.g. for the proper function of relays.

Consideration should be given to the effects of voltage drop on the correct function of the electrical equipment of the auxiliary circuit, e.g.:

- for an a.c. supply, relays and solenoid valves may have an inrush current of 7 to 8 times of the holding current;
- for a d.c. supply, the inrush current is equal to the steady current;
- in the case of motors starting direct-on-line, the starting current could reduce the supply voltage of an auxiliary circuit dependent on the main circuit below the minimum operating voltage of the associated switchgear.

557.3.5.2 Standby power supply or power supply for safety services

Where a standby power supply or a power supply from a generating set is used to supply auxiliary circuits, the frequency variation shall be taken into account.

557.3.5.3 AC supply

The nominal voltage of control circuits should preferably not exceed

- 230 V for circuits with 50 Hz nominal frequency,
- 277 V for circuits with 60 Hz nominal frequency,

respectively, taking into account voltage tolerances according to IEC 60038.

The dimensioning of cable length with respect to the conductor capacitances, e.g. connection to a limit switch, needs to be coordinated with the selected relays or solenoid valves.

The standing voltage caused by high conductor capacitances may impair the switching off of the relay or solenoid valve.

557.3.5.4 DC supply

557.3.5.4.1 Supply by a power system

The nominal voltage of control circuits should preferably not exceed 220 V.

557.3.5.4.2 Supply by batteries

Where batteries are used as a power supply for auxiliary circuits, the voltage fluctuation due to charging or discharging shall not exceed voltage tolerances specified in IEC 60038, unless the auxiliary circuit is specifically designed to compensate for such voltage fluctuation.

Compensation of the voltage fluctuation may be achieved by counter cells.

557.3.6 Protective measures

557.3.6.1 Protection of wiring systems

In the case of extended auxiliary circuits it is necessary to ensure that the required tripping current of the protective device will be achieved also at the far end of the respective cables or conductors, see IEC 60364-4-43:2008, Clause 433.1.

Single-phase earthed a.c. or d.c. auxiliary circuits supplied on the secondary side of the transformer for an auxiliary supply are permitted to be protected by single-pole switching devices. The protective devices shall only be inserted in conductors which are not connected directly to the earth.

Unearthed a.c. or d.c. auxiliary circuits shall be protected against short-circuit current by protective devices interrupting all line conductors. Single-pole protection is permitted if the rated voltage and the time-current characteristic of the related short-circuit protective device are such that the conductor with the smallest cross-sectional area is protected.

NOTE 1 The use of protective devices which disconnect all lines of an unearthed auxiliary circuit will aid fault diagnosis and maintenance activities.

If the short-circuit protective device on the primary side of the transformer for an auxiliary circuit is selected so that it also protects against short-circuit current on the secondary side, a protective device on the secondary side of the transformer may be omitted.

NOTE 2 The magnitude of the short-circuit current on the primary side depends also on the impedance of the transformer.

557.3.6.2 Protection against short-circuit

Switching contacts of electrical switching devices of the auxiliary circuit shall be protected against damage caused by short-circuit currents, according to the manufacturer's instructions.

557.4 Characteristics of cables and conductors – Minimum cross-sectional areas

In order to ensure adequate mechanical strength, the following minimum cross-sectional areas indicated in Table 557.1 shall be met. If there are special mechanical strength requirements for cables or conductors, then a larger cross-sectional area of the conductors should be selected in accordance with IEC 60364-5-52:2009, 522.6.

Table 557.1 – Minimum cross-sectional area of copper conductors in mm²

Application	Type of cable				
	Single-core		Two-core		Multi-core
	Single-wire	Stranded	Screened	Unscreened	Screened or unscreened
Control circuits ^a	0,5	0,5	0,5	0,5	0,1
Data transfer	–	–	–	–	0,1
^a Other auxiliary circuits may need a larger cross-sectional area of copper conductor, e.g. for measuring.					
NOTE The cross-sectional area of copper conductors is derived from IEC 60364-5-52:2009.					

557.5 Requirements for auxiliary circuits used for measurement

557.5.1 General

Measuring circuits are auxiliary circuits with dedicated requirements which are given in the following subclauses.

557.5.2 Auxiliary circuits for direct measurement of electrical quantities

Where there is direct contact of a measurement device with the main circuit, the following measures for protection of cables against overheating shall be applied:

- requirements according IEC 61439-1:2011. 8.6.2 and 8.6.4; and/or
- use of short-circuit protective devices.

If an interruption of the measurement circuit by disconnection of the short-circuit protective device could lead to a hazardous situation, the short-circuit protective device shall also disconnect the related main circuit.

For a measurement device with direct contact between the measurement circuit and the auxiliary source attention should be given to phase coincidence and correct polarity.

557.5.3 Auxiliary circuits for measurement of electrical quantities via a transformer

557.5.3.1 Current transformer

Where a measurement device is connected to the main circuit via a current transformer, the following requirements shall be taken into account:

- the secondary side of the transformer in a low voltage installation shall not be earthed, except where the measurement can only be carried out with a connection to earth;
- protective devices interrupting the circuit shall not be used on the secondary side of the transformer;
- conductors on the secondary side of the transformer shall be insulated for the highest voltage of any live parts or shall be installed such that their insulation cannot come into contact with other live parts, e.g. contact with busbars;
- terminals for temporary measurements shall be provided.

To reduce the influence of conductor impedance on the measuring result, the transformer should preferably have a secondary nominal current of 1 A.

The above requirements do not apply to summation current transformers where hazardous voltages do not occur, e.g. equipment for insulation fault location according to IEC 61557-9.

557.5.3.2 Voltage transformer

The secondary side of a voltage transformer shall be protected by a short-circuit protective device.

557.6 Functional consideration

557.6.1 Voltage supply

Where loss of voltage, i.e. voltage fluctuation, overvoltage or undervoltage, could cause the auxiliary circuit to be unable to perform its intended function, means to ensure continued operation of the auxiliary circuit shall be provided.

557.6.2 Quality of signals depending on the cable characteristics

The operation of an auxiliary circuit shall not be adversely affected by the characteristics, including impedance and length, of the cable between operational components.

The capacitance of the cable shall not impair the proper operation of an actuator in the auxiliary circuit. The cable characteristics and length shall be taken into account for the selection of switchgear and controlgear or electronic circuits.

For an extensive auxiliary circuit, the use of a d.c. power supply or bus-system is recommended.

557.6.3 Measures to avoid the loss of functionality

An auxiliary circuit serving a special function where reliability is a concern will require additional design considerations to minimize the likelihood of wiring faults. These wiring faults could result in loss of function and/or loss of signal. Among the design considerations are

- selection of appropriate installation methods of cables (see 557.4),
- selection of equipment where a short-circuit to exposed-conductive-parts is not possible, e.g. Class II equipment.
- use of inherently short-circuit and earth fault proof installation and equipment

For the use of inherently short-circuit and earth fault proof installation and equipment, the following shall be considered:

- a) Arrangements of single wires if measures are provided which prevent mutual contact and contact to exposed-conductive-parts, e.g. with basic insulation and where short-circuits by external influences are not expected. This may be achieved by, e.g.
 - installation in cable trunking systems, or
 - installation in conduit.
- b) Arrangements of
 - single-core cables, or
 - single-core, non-metallic-sheathed cables, or
 - rubber-insulated flexible cables.
- c) Provision of protection against mechanical damage and of safe distance from flammable material for non-metallic sheathed cables.
- d) Arrangements of non-metallic-sheathed cables with nominal voltage U_0/U at least 0,6/1 kV (U_0 = conductor to earth voltage, U = conductor-to-conductor voltage).
- e) Use of cables with an insulation which is self-extinguishing and flame-retardant.
- f) Use of cables that are afforded physical protection by being buried, e.g. installation of cables in soil or concrete.

Lateral short-circuit proof means having provision for protection against the shorting of two parallel conductors forming part of an assembly.

NOTE This may be achieved by use of cables with an earthed screen. In the case of pinching/shearing of a cable, a possible short-circuit to earth via the cable screens should be considered. In earthed auxiliary circuits, designed as closed-circuit working, a short-circuit may lead to tripping of the short-circuit protective device. In unearthed auxiliary circuits, the short-circuit is detected by the IMD, see 557.3.4.3.

557.6.4 Current-limiting signal outputs

In earthed or unearthed auxiliary circuits with current-limiting signal outputs or electronically controlled protection against short-circuit conditions, respectively, the signal circuit shall be disconnected within 5 s if the respective measure operates. In special cases, a shorter disconnection time may be required.

For current-limiting signal outputs or electronically controlled protection of the signal output, respectively, automatic disconnection of supply may be omitted if a hazardous situation is not likely to occur.

557.6.5 Connection to the main circuit

557.6.5.1 Auxiliary circuits without direct connection to the main circuit

Electrical actuators, e.g. actuating relays, contactors, signaling lights, electromagnetic locking devices, shall be connected to the common conductor (see Figure 557.4):

- a) in earthed auxiliary circuits, at the earthed (common) conductor;
- b) in unearthed auxiliary circuits, at the common conductor.

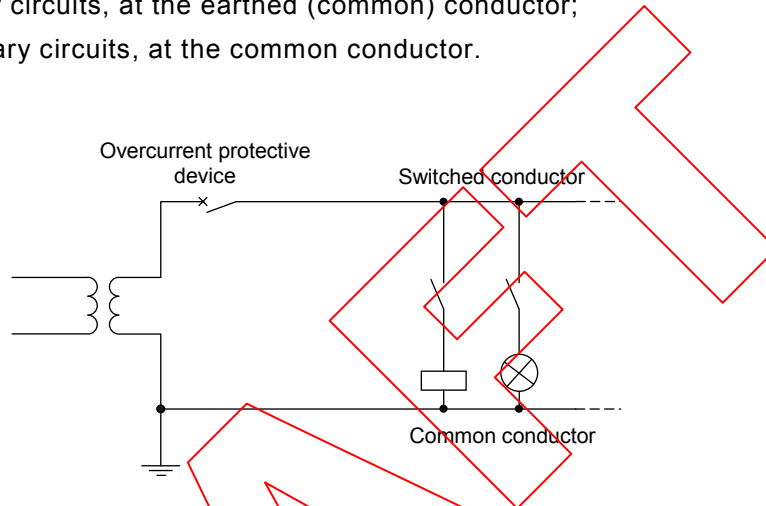


Figure 557.4 – Configuration of an auxiliary circuit

Exception: Switching elements of protective relays, e.g. overcurrent relays, which may be installed between the earthed or the non-earthed conductor and a coil, provided that

- this connection is contained inside a common enclosure, or
- it leads to a simplification of external control devices, e.g. conductor bars, cable drums, multiple connectors, and taking into account the requirements of 557.3.6.2.

557.6.5.2 Auxiliary circuits with direct connection to the main circuit

If the auxiliary circuit

- a) is supplied between two line conductors (e.g. L1 and L2 of an IT system), two-pole switching contacts shall be used;
- b) is connected to the earthed neutral of the main circuit, the requirements of IEC 60364-4-43 apply.

557.6.6 Plug-in connections

Interchangeability between multiple plug-in connections is permitted only where it will not result in mechanical damage or introduce a risk of fire, electric shock or injury to persons.

NOTE 1 These plug-in connections form a part of the auxiliary circuit(s) and may conduct different signals.

NOTE 2 Protection against interchangeability may be achieved by marking, polarization, design or electronic interlocking.

The connectors shall be secured by a means to prevent unintended disconnection.

557.7 Functional safety

Where there is a safety related system in accordance with the IEC 61508 series or equivalent standards, all specifications and installation requirements within the manufacturer's instructions for the safety related system shall be followed.

557.8 EMC

To comply with EMC requirements, all specifications and installation requirements within the manufacturer's instructions for EMC shall be followed.

Insert the following new references to the bibliography:

IEC 60204 (all parts), *Safety of machinery*

IEC 61508-4:2010, *Functional safety of electrical/electronic programmable electronic safety-related systems – Part 4: Definitions and abbreviations*

IEC 61936 (all parts), *Power installations exceeding 1 kV a.c.*

DRAFT

AVANT-PROPOS

Le présent amendement a été établi par le comité technique 64 de la CEI: Installations électriques et protection contre les chocs électriques.

Le texte de cet amendement est issu des documents suivants:

FDIS	Rapport de vote
64/XX/FDIS	64/XX/RVD

Le rapport de vote indiqué dans le tableau ci-dessus donne toute information sur le vote ayant abouti à l'approbation de cet amendement.

Le comité a décidé que le contenu de cet amendement et de la publication de base ne sera pas modifié avant la date de stabilité indiquée sur le site web de la CEI sous "http://webstore.iec.ch" dans les données relatives à la publication recherchée. A cette date, la publication sera

- reconduite,
- supprimée,
- remplacée par une édition révisée, ou
- amendée.

Pour la présente publication, les Comités nationaux sont priés de noter que la date de stabilité est 2012.

CE TEXTE EST INCLUS A TITRE D'INFORMATION POUR LES COMITES NATIONAUX. IL SERA SUPPRIME AU STADE PUBLICATION.

Insérer les nouvelles références suivantes dans l'Article 550.2, Références normatives:

CEI 60038, *Tensions normales de la CEI*

CEI 60364-4-44:2007, *Installations électriques à basse tension – Partie 4-44: Protection pour assurer la sécurité – Protection contre les perturbations de tension et les perturbations électromagnétiques*

CEI 60364-5-52:2009, *Installations électriques à basse tension – Partie 5-52: Choix et mise en œuvre des matériels électriques – Canalisations*

CEI 61439-1:2011, *Ensembles d'appareillage à basse tension – Partie 1: Règles générales*

CEI 61508 (toutes les parties), *Sécurité fonctionnelle des systèmes électriques/ électroniques/ électroniques programmables relatifs à la sécurité*

CEI 61557-8, *Sécurité électrique dans les réseaux de distribution basse tension de 1 000 V c.a. et 1 500 V c.c. – Dispositifs de contrôle, de mesure ou de surveillance de mesures de protection – Partie 8: Contrôleurs d'isolement pour réseaux IT*

CEI 61557-9, *Sécurité électrique dans les réseaux de distribution basse tension de 1 000 V c.a. et 1 500 V c.c. – Dispositifs de contrôle, de mesure ou de surveillance de mesures de protection – Partie 9: Dispositifs de localisation de défauts d'isolement pour réseaux IT*

Remplacer "CEI 60364-4-43" par "CEI 60364-4-43:2008."

Insérer le nouvel Article 557 après l'Article 551.8 et avant l'Article 559:

557 Circuits auxiliaires

557.1 Domaine d'application

Cet article s'applique aux circuits auxiliaires, à l'exception de ceux couverts par des normes produits ou des normes d'installation spécifiques.

557.2 Termes et définitions

Pour les besoins du présent document, les définitions suivantes s'appliquent.

NOTE S'agissant des définitions générales, se reporter à la CEI 60050-826.

557.2.1 circuits auxiliaires

circuits pour la transmission de signaux prévus pour la détection, la surveillance ou la commande de l'état fonctionnel d'un circuit principal

557.2.2 circuit principal

circuit contenant le matériel électrique pour la production, la transformation, la distribution ou la coupure de l'énergie électrique ou matériel d'utilisation

557.2.3 sortie de signal de limitation de courant

sortie de signal fournie par un dispositif servant à limiter le courant

557.2.4 intrinsèquement protégé contre les courts-circuits et les défauts à la terre

état d'un appareil ou d'un ensemble électrique protégé contre les courts-circuits et les défauts à la terre par une conception et des dispositions de mise en œuvre appropriées

[SOURCE: CEI 60050-826:2004, définition 826-14-15]

557.2.5 niveau d'intégrité de la sécurité

SIL

niveau discret en vue de spécifier les exigences d'intégrité de sécurité des fonctions de sécurité à attribuer aux systèmes électriques/électroniques liés à la sécurité électronique programmables, là où le niveau 4 d'intégrité de sécurité possède le plus haut degré d'intégrité de sécurité et le niveau 1 possède le plus bas

[SOURCE: CEI 61508-4:2010, 3.5.8, modifiée]

557.3 Exigences relatives aux circuits auxiliaires

557.3.1 Généralités

L'alimentation du circuit auxiliaire, en courant alternatif ou en courant continu, peut être soit dépendante soit indépendante du circuit principal, conformément à sa fonction requise. Si l'état du circuit principal doit être signalé, alors le circuit de signalisation doit être en mesure de fonctionner indépendamment de ce circuit principal.

NOTE Dans les installations étendues, l'utilisation de l'alimentation auxiliaire en courant continu peut être privilégiée.

557.3.2 Alimentation pour les circuits auxiliaires dépendants du circuit principal

557.3.2.1 Généralités

Les circuits auxiliaires dont l'alimentation dépend du circuit principal en courant alternatif peuvent être raccordés au circuit principal

- directement (voir la Figure 557.1); ou
- par l'intermédiaire d'un redresseur (voir la Figure 557.2); ou encore
- par l'intermédiaire d'un transformateur (voir la Figure 557.3).

Il est recommandé que les circuits auxiliaires alimentant principalement les matériels ou les systèmes électroniques ne soient pas alimentés directement par le circuit principal mais au minimum par l'intermédiaire d'une simple séparation, par le circuit principal.

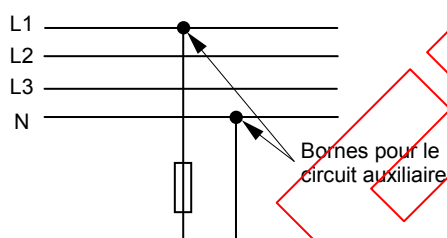


Figure 557.1 – Circuit auxiliaire alimenté directement par le circuit principal

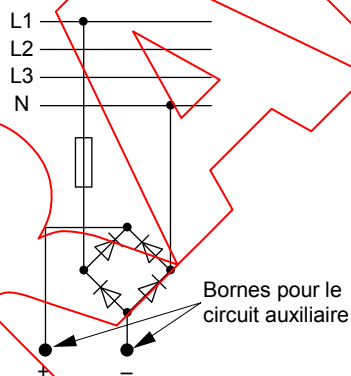


Figure 557.2 – Circuit auxiliaire alimenté par l'intermédiaire d'un redresseur par le circuit principal

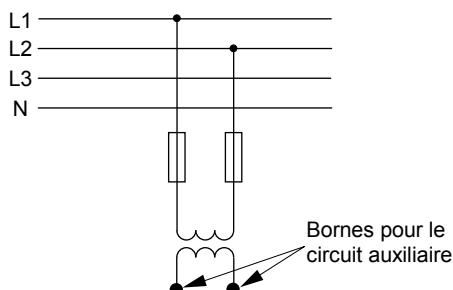


Figure 557.3 – Circuit auxiliaire alimenté par le circuit principal par l'intermédiaire d'un transformateur

NOTE Dans le cas de circuits auxiliaires alimentés par le circuit principal, directement ou par le redresseur, le circuit auxiliaire commence au niveau du point de connexion au circuit principal, voir la Figure 557.1. Dans le cas de l'utilisation du redresseur, voir la Figure 557.2, ou dans le cas d'un transformateur, voir la Figure 557.3, le circuit auxiliaire commence du côté c.c. du redresseur, ou au secondaire du transformateur.

557.3.2.2 Circuits auxiliaires alimentés par le circuit principal par l'intermédiaire d'un transformateur

Dans le cas de l'alimentation d'un circuit auxiliaire par au moins deux transformateurs, ces derniers doivent être raccordés en parallèle à la fois côté primaire et côté secondaire.

557.3.3 Circuits auxiliaires alimentés par une source indépendante

Dans le cas d'une source indépendante du circuit auxiliaire, il convient que soit détectée une perte d'alimentation ou une sous-tension de la source du circuit principal. Les circuits auxiliaires indépendants ne doivent pas provoquer de situation dangereuse.

NOTE Des batteries et des systèmes d'alimentation indépendants du secteur sont des exemples de sources indépendantes.

557.3.4 Circuits auxiliaires avec ou sans liaison à la terre

557.3.4.1 Généralités

Un circuit auxiliaire doit être conforme aux exigences de mise à la terre de la CEI 60364, sauf exigences modifiées par les 557.3.4.2 et 557.3.4.3.

NOTE Ceci dépend des exigences relatives aux circuits auxiliaires qu'ils soient mis en fonctionnement en étant reliés ou non reliés à la terre. Par exemple, dans les circuits auxiliaires reliés à la terre, un défaut à la terre présent dans un conducteur non relié à la terre conduit à une coupure de l'alimentation du circuit auxiliaire. Dans les circuits auxiliaires non reliés à la terre, un défaut à la terre présent dans un conducteur conduit uniquement à un signal du CPI (voir le 557.3.4.3).

Il convient de considérer l'utilisation de circuits auxiliaires non reliés à la terre lorsqu'un haut degré de fiabilité est exigé.

557.3.4.2 Circuits auxiliaires reliés à la terre

Les circuits auxiliaires alimentés par l'intermédiaire d'un transformateur doivent être reliés à la terre à un seul point du côté secondaire du transformateur. La liaison à la terre doit être située à proximité du transformateur. Le raccordement doit être aisément accessible et en mesure d'être isolé, en vue de la mesure de l'isolement.

557.3.4.3 Circuits auxiliaires non reliés à la terre

Si les circuits auxiliaires sont mis en fonctionnement en étant non reliés à la terre via un transformateur, un contrôleur permanent d'isolement (CPI) selon la CEI 61557-8 doit être installé du côté secondaire.

NOTE En fonction de l'évaluation des risques, il convient de déterminer si le signal du CPI a déclenché une alarme acoustique et/ou flash ou l'a transmis à un système de contrôle.

557.3.5 Alimentations pour les circuits auxiliaires

557.3.5.1 Généralités

La tension assignée du circuit auxiliaire et les composants utilisés dans le circuit auxiliaire doivent être compatibles avec l'alimentation pour ce circuit.

NOTE Si la tension d'alimentation est trop faible pour la conception du circuit, alors le fonctionnement ne sera pas fiable, par exemple pour le fonctionnement approprié des relais.

Il convient de prendre en compte les effets de chute de tension sur le fonctionnement correct du matériel électrique des circuits auxiliaires, par exemple:

- dans le cas d'une alimentation en courant alternatif, les relais et les électrovannes peuvent avoir un courant d'appel de 7 à 8 fois égal au courant de maintien;

- dans le cas d'une alimentation en courant continu, le courant d'appel est égal au courant permanent;
- dans le cas de moteurs à démarrage direct, le courant de démarrage peut réduire la tension d'alimentation d'un circuit auxiliaire dépendant du circuit principal en dessous de la tension de fonctionnement minimale de l'appareillage de connexion.

557.3.5.2 Alimentation de secours ou alimentation pour installations de sécurité

Dans le cas d'une utilisation d'alimentation de secours ou d'alimentation à partir d'un générateur pour l'alimentation des circuits auxiliaires, la variation de fréquence doit être prise en compte.

557.3.5.3 Alimentation en courant alternatif

Il convient que la tension nominale des circuits de commande ne dépasse pas de préférence

- 230 V pour des circuits comportant une fréquence nominale de 50 Hz,
- 277 V pour des circuits comportant une fréquence nominale de 60 Hz,

respectivement, en prenant en compte les tolérances de tension selon la CEI 60038.

Le dimensionnement de la longueur de câble par rapport aux capacités de conducteurs, par exemple le raccordement à un interrupteur de fin de course, nécessite d'être coordonné avec les relais ou électrovannes choisis.

Le maintien de la tension provoqué par les capacités élevées de conducteurs peut compromettre la mise hors tension du relais ou de l'électrovanne.

557.3.5.4 Alimentation en courant continu

557.3.5.4.1 Alimentation par un réseau d'énergie

Il convient que la tension nominale des circuits de commande ne dépasse pas, de préférence, 220 V.

557.3.5.4.2 Alimentation par batteries

Dans le cas de l'utilisation de batteries en tant qu'alimentation pour les circuits auxiliaires, la fluctuation de tension du fait de la charge ou la décharge ne doit pas dépasser les tolérances de tension spécifiées dans la CEI 60038, à moins que le circuit auxiliaire ne soit précisément conçu pour compenser une telle fluctuation de tension.

La compensation de la fluctuation de tension peut être obtenue par les éléments d'opposition.

557.3.6 Mesures de protection

557.3.6.1 Protection des canalisations

Dans le cas de circuits auxiliaires étendus, il convient de prendre en compte le fait que l'on recommande que l'exigence de courant de déclenchement du dispositif de protection soit satisfaite également à l'extrémité des câbles ou conducteurs respectifs; voir la CEI 60364-4-43:2008, Article 433.1.

Il est permis que les circuits auxiliaires monophasés en courant alternatif ou en courant continu reliés à la terre, alimentés du côté secondaire du transformateur pour une alimentation auxiliaire soient protégés par des dispositifs de coupure unipolaire. Les dispositifs de protection doivent être uniquement insérés dans les conducteurs qui ne sont pas reliés directement à la terre.

Les circuits auxiliaires en courant alternatif ou en courant continu non reliés à la terre doivent être protégés contre les courts-circuits par un dispositif de protection permettant l'interruption de tous les conducteurs de phase. Mais la protection unipolaire peut être autorisée si la tension assignée et la caractéristique temps-courant du dispositif associé de protection contre les courts-circuits sont conçues de sorte que soit protégé le conducteur de la plus faible section.

NOTE 1 L'utilisation des dispositifs de protection permettant la déconnexion de toutes les lignes d'un circuit auxiliaire non relié à la terre contribuera au diagnostic des pannes et aux activités de maintenance.

Si le dispositif de protection contre les courts-circuits du côté primaire du transformateur pour un circuit auxiliaire est choisi de manière à protéger également contre les courts-circuits du côté secondaire, un dispositif de protection du côté secondaire du transformateur peut être omis.

NOTE 2 L'amplitude du courant de court-circuit du côté primaire dépend également de l'impédance du transformateur.

557.3.6.2 Protection en cas de court-circuit

Les contacts de commutation du dispositif de commutation électrique du circuit auxiliaire doivent être protégés contre les dommages provoqués par les courants de court-circuit, conformément aux instructions du fabricant.

557.4 Caractéristiques des câbles et des conducteurs – Sections transversales minimales

Afin d'assurer une résistance mécanique suffisante, les sections minimales suivantes figurant dans le Tableau 557.1 doivent être respectées. S'il existe des exigences mécaniques spécifiques pour les conducteurs ou les câbles, il convient alors de choisir une section supérieure de conducteurs, conformément à la CEI 60364-5-52:2009, 522.6.

Tableau 557.1 – Sections minimales de conducteurs en cuivre en mm²

Application	Type de câble				
	Monoconducteur		A deux conducteurs		Multiconducteur
	A un seul brin	Divisé	Avec écran	Sans écran	Avec écran ou sans écran
Circuits de commande ^a	0,5	0,5	0,5	0,5	0,1
Transfert de données	–	–	–	–	0,1
^a D'autres circuits auxiliaires peuvent nécessiter une section supérieure de conducteur en cuivre, par exemple en vue de mesures.					
NOTE Les sections des conducteurs en cuivre sont issues de la CEI 60364-5-52:2009.					

557.5 Exigences relatives aux circuits auxiliaires utilisés pour les mesures

557.5.1 Généralités

Les circuits de mesure sont des circuits auxiliaires avec des exigences spécifiques figurant dans les paragraphes suivants.

557.5.2 Circuits auxiliaires pour la mesure directe des grandeurs électriques

En cas de contact direct des dispositifs de mesure avec le circuit principal, les mesures suivantes de protection des câbles contre la surchauffe doivent être appliquées:

- exigences selon la CEI 61439-1:2011, 8.6.2 et 8.6.4; et/ou

- utilisation de dispositifs de protection contre les courts-circuits.

Si une interruption du circuit de mesure par la déconnexion du dispositif de protection contre les courts-circuits peut conduire à des situations dangereuses, le dispositif de protection contre les courts-circuits doit également déconnecter le circuit principal associé.

Dans le cas de dispositifs de mesure avec un contact direct entre le circuit de mesure et la source auxiliaire, il convient de porter son attention sur la concordance des phases et une polarité correcte.

557.5.3 Circuits auxiliaires pour la mesure des grandeurs électriques par l'intermédiaire d'un transformateur

557.5.3.1 Transformateur de courant

Dans le cas de raccordement des dispositifs de mesure avec le circuit principal par l'intermédiaire d'un transformateur, les exigences suivantes doivent être prises en compte:

- le côté secondaire du transformateur dans une installation à basse tension ne doit pas être relié à la terre, excepté le cas dans lequel la mesure peut uniquement être effectuée avec une liaison à la terre;
- les dispositifs de protection interrompant le circuit ne doivent pas être utilisés du côté secondaire des transformateurs;
- les conducteurs du côté secondaire du transformateur doivent être isolés par rapport à la tension la plus haute de toutes parties actives ou ils doivent être installés de sorte que leur isolation ne puisse venir en contact avec les parties actives, par exemple, un contact avec des jeux de barres;
- des bornes pour les mesures temporaires doivent être prévues.

Pour la réduction de l'influence des impédances des conducteurs sur le résultat de mesure, il convient de préférence d'utiliser les transformateurs avec un courant nominal secondaire de 1 A.

Les exigences ci-dessus ne s'appliquent pas aux transformateurs de courant sommateurs lorsqu'aucune tension dangereuse n'est présente, par exemple aux dispositifs de localisation de défauts d'isolement selon la CEI 61557-9.

557.5.3.2 Transformateurs de tension

Le côté secondaire des transformateurs de tension doit être protégé par les dispositifs de protection contre les courts-circuits.

557.6 Considération fonctionnelle

557.6.1 Tension d'alimentation

Si des pertes de tension, c'est-à-dire des fluctuations de tension, surtensions ou sous-tensions, sont susceptibles de donner lieu à une inaptitude du circuit auxiliaire à réaliser sa fonction prévue, des mesures destinées à assurer un fonctionnement continu du circuit auxiliaire doivent être prévues.

557.6.2 Qualité des signaux en fonction des caractéristiques de câbles

Le fonctionnement d'un circuit auxiliaire ne doit pas être compromis par les caractéristiques, y compris l'impédance et la longueur, du câble entre les composants fonctionnels.

La capacité du câble pour une partie active à actionnement électrique doit être inférieure à la valeur de déclenchement de ladite partie. Les caractéristiques de câbles et leur longueur doivent être prises en compte pour le choix de l'appareillage ou des circuits électroniques.

Pour un circuit auxiliaire étendu, il est recommandé d'utiliser une alimentation électrique en courant continu ou des systèmes de BUS.

557.6.3 Mesures pour éviter la perte des fonctionnalités

Les circuits auxiliaires servant à une fonction spéciale pour laquelle la fiabilité est cruciale, nécessitent d'intégrer des considérations de conception supplémentaires en vue de contribuer à éviter l'introduction de défauts de câblage. Parmi ces considérations de conception, on peut citer:

- le choix de méthodes d'installations appropriées des câbles (voir 557.4);
- le choix du matériel dans lequel un court-circuit aux parties conductrices accessibles n'est pas possible, par exemple un matériel de Classe II;
- l'utilisation d'installations et de matériels intrinsèquement protégés contre les courts-circuits et les défauts à la terre.

Pour l'utilisation d'installations et de matériels intrinsèquement protégés contre les courts-circuits et les défauts à la terre, les méthodes suivantes sont à considérer:

- a) Des dispositions de fils uniques si des mesures sont prévues pour empêcher le contact mutuel et le contact avec les parties conductrices accessibles, par exemple avec l'isolation de base et là où des courts-circuits par des influences externes ne sont pas prévues. Ceci peut être obtenu par exemple par
 - une installation dans des systèmes de goulottes, ou
 - une installation dans des conduits.
- b) Des configurations de
 - câbles monoconducteurs, ou
 - câbles monoconducteurs non-métalliques sous gaine, ou
 - câbles souples isolés au caoutchouc.
- c) La disposition d'une protection contre les dommages mécaniques et d'une distance de sécurité par rapport aux matériaux inflammables pour les câbles à blindages non métalliques.
- d) Les configurations des câbles sous gaines non métalliques de tension nominale U_0/U d'au moins 0,6/1 kV (U_0 = tension entre conducteur et terre, U = tension entre conducteurs).
- e) Utilisation de câbles dont l'isolation du conducteur soit auto-extinguible et résistante au feu.
- f) Utilisation de câbles disposant d'une protection physique par le biais de l'enfouissement, par exemple, installation de câbles dans le sol ou le béton.

L'épreuve du court-circuit latéral sous-entend la présence d'une disposition en vue de la protection contre les courts-circuits de deux conducteurs parallèles constituant un ensemble.

NOTE À cet effet, on peut utiliser des câbles munis d'un écran relié à la terre. En cas de pincement/cisaillement d'un câble, il convient d'envisager la possibilité d'un court-circuit à la terre via l'écran des câbles. Dans les circuits auxiliaires reliés à la terre, conçus pour fonctionner en circuit fermé, un court-circuit peut entraîner le déclenchement du dispositif de protection contre les courts-circuits. Dans les circuits auxiliaires non reliés à la terre, le court-circuit est détecté par le contrôleur permanent d'isolement (CPI), voir le 557.3.4.3.

557.6.4 Sorties de signaux de limitation de courant

Dans des circuits auxiliaires reliés et non reliés à la terre comportant respectivement des circuits avec sorties de signaux de limitation de courant ou une protection à commande électronique contre des conditions de court-circuit, les circuits de signaux concernés doivent s'interrompre après 5 s si la mesure respective fonctionne. Dans des cas particuliers, un temps de coupure plus rapide peut être exigé.

Dans le cas de sorties de signaux de limitation de courant ou d'une protection à commande électronique de la sortie de signal, respectivement, une coupure automatique de l'alimentation peut être omise si des situations dangereuses sont peu probables.

557.6.5 Raccordement au circuit principal

557.6.5.1 Circuits auxiliaires sans raccordement direct au circuit principal

Les actionneurs électriques, par exemple, les relais de commande, les contacteurs, les signaux lumineux, les dispositifs de verrouillage électromagnétiques, doivent être raccordés au conducteur commun, voir la Figure 557.4):

- a) dans les circuits auxiliaires reliés à la terre, au conducteur (commun) relié à la terre;
- b) dans les circuits auxiliaires non reliés à la terre, au conducteur commun.

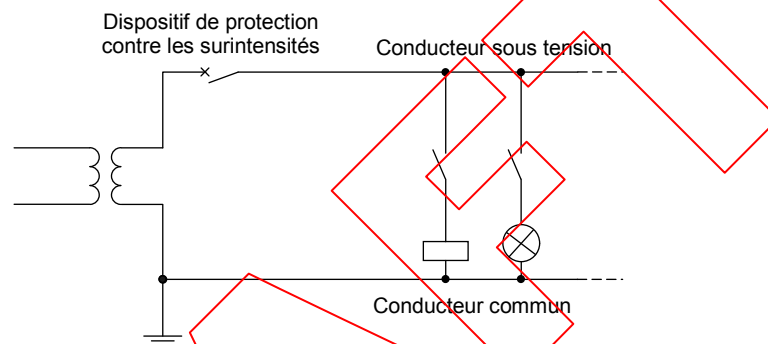


Figure 557.4 – Configuration d'un circuit auxiliaire

Exception: Les éléments de commutation des relais de protection, par exemple les relais contre les surintensités, pouvant être installés entre le conducteur relié ou non relié à la terre et une bobine, à condition que

- ce raccordement soit contenu dans une enveloppe commune, ou
- cela donne lieu à une simplification des dispositifs de commande externes, par exemple, les barres conductrices, les tourets pour câbles, les connecteurs multiples, et en prenant en compte les exigences du 557.3.6.2.

557.6.5.2 Circuits auxiliaires avec raccordement direct au circuit principal

Si le circuit auxiliaire

- a) est fourni entre deux conducteurs de phase (par exemple L1 et L2 d'un schéma IT), des contacts de commutation bipolaires doivent être utilisés;
- b) est relié au neutre du circuit principal mis à la terre, les exigences de la CEI 60364-4-43 s'appliquent.

557.6.6 Connexion enfichable

L'interchangeabilité entre différentes connexions enfichables n'est autorisée que s'il n'en résulte pas de dommage mécanique et si elle n'introduit pas de risque d'incendie, de chocs électriques ni de blessure aux personnes.

NOTE 1 Ces connexions enfichables font partie des circuits auxiliaires et peuvent conduire différents signaux.

NOTE 2 La protection contre l'interchangeabilité peut être obtenue par marquage, polarisation, conception ou verrouillage électronique.

Les connecteurs doivent être sécurisés contre des déconnexions intempestives.

557.7 Sécurité fonctionnelle

Dans le cas de fonctions liées à la sécurité selon la série CEI 61508 ou normes équivalentes, toutes les spécifications et les exigences d'installation contenues dans les instructions du fabricant et relatives aux fonctions liées à la sécurité doivent être appliquées.

557.8 CEM

Pour être conforme aux exigences CEM, toutes les spécifications et les exigences d'installation contenues dans les instructions du fabricant et relatives à la CEM doivent être appliquées.

Insérer les nouvelles références suivantes à la bibliographie:

CEI 60204 (toutes les parties), *Sécurité des machines*

CEI 61508-4:2010, *Sécurité fonctionnelle des systèmes électriques/électroniques/électroniques programmables relatifs à la sécurité – Partie 4: Définitions et abréviations*

CEI 61936 (toutes les parties), *Installations électriques en courant alternatif de puissance supérieure à 1 kV*

DRAMA

INTERNATIONAL
ELECTROTECHNICAL
COMMISSION

3, rue de Varembé
P.O. Box 131
CH-1211 Geneva 20
Switzerland

Tel: + 41 22 919 02 11
Fax: + 41 22 919 03 00
info@iec.ch
www.iec.ch